



AUTOGRAPH

Signature Series

XDANTE-1 DANTE NETWORK AUDIO CHANGEOVER SYSTEM



USER MANUAL V1.0



AUTOGRAPH

Table of Contents

INTRODUCTION	3
IMPORTANT SAFETY PRECAUTIONS	4
General Safety	4
Caution	4
Power Safety	5
Installation Notes.....	5
PANEL DESCRIPTIONS	6
Front Panel.....	6
Rear Panel.....	7
Setup Instructions	8
Input Mode	8
Output Mode	10
SWITCHING EXAMPLES	11
Switching 2 x 64Ch to 32Ch Input Mode	11
Switching 128Ch to 64Ch Input Mode	11
Switching 64Ch to 128Ch Output Mode	12
Switching 1 x 64Ch to 32Ch Input Mode & 1 x 32Ch to 64Ch Output Mode.....	12
CONNECTION EXAMPLES	13
Primary only connection example	13
Primary & Secondary connection example.....	14
TECHNICAL DATA	15
Dimensions	15
Weight.....	15
Power Supply	15
Fuses	15
Latency	15
Dante Ports	15
Remote Ports	15
APENDIX A	16
Autolink Pinout	16
Remote Pinout	16



A U T O G R A P H

INTRODUCTION

Congratulations on purchasing the Autograph XDANTE-1 Changeover system.

The XDANTE-1 DANTE Changeover System was developed as a simple and efficient way to switch between redundant DANTE sources at the push of a button.

The unit is housed in a 1U 19" rack-mount case with dual redundant switch mode PSUs as standard.

The unit allows for remote switching to allow sync with XUSB-2 PC Changeover, or for simple external button control.

The unit consists of two independently controllable 64 into 32 channel Dante switchers. These can be combined to allow switching of up to 128 inputs to 64 outputs.

- 48KHz 24bit operation. Up to 128 Input channels to 64 Output channels
- 96KHz 24bit operation. Up to 64 Input channels to 32 Output Channels

There is a second switching mode which allows for Output switching. This will switch the first 32 inputs to the first or second block of 32 outputs.

Should you experience any problems with your XDANTE-1 please contact:

Service Department
Autograph Sound Recording Ltd
2 Spring Place
London NW5 3BA
United Kingdom
Tel. +44 (0)20 7485 4515
Fax. +44 (0)20 7284 1233
Email. service@autograph.co.uk



A U T O G R A P H

IMPORTANT SAFETY PRECAUTIONS

This section contains definitions, warnings, and practical information to ensure a safe working environment. Please take time to read this section before installing or using this unit. Please do not dispose of these instructions.

General Safety

- Heed all warnings.
- Follow all instructions.
- Do not use this apparatus near water.
- Do not expose this apparatus to rain or moisture.
- Clean only with dry cloth.
- Do not block any ventilation openings.
- Install in accordance with the manufacturer's instructions.
- Do not install near any heat sources such as radiators, heat registers, stoves or other apparatus (including amplifiers) that produce heat.
- Adjustments or alterations to this apparatus may affect the performance such that safety and/or international compliance standards may no longer be met.

Caution

- Hazardous voltages may be present inside this apparatus.
- Do not operate this apparatus with the covers removed.
- To reduce the risk of electric shock, do not perform any servicing other than that contained in these Installation Instructions unless you are qualified to do so. Refer all servicing to qualified service personnel and ensure that all power cords are disconnected when servicing this apparatus.



A U T O G R A P H

Power Safety

- This apparatus is fitted with a universal power supply, approved and certified for operation in this apparatus. There are no user-replaceable fuses inside the unit.
- Multiple power cords may be supplied with this unit – use only the power cord appropriate to your local power wiring. Alternative power cords may be used if rated 2.5A or above and fitted with a 3-pin IEC320 connector.
- An external over-current protection device is required to protect the wiring to this apparatus. This protection device must be installed according to current wiring regulations. In certain countries this function is supplied by use of a fused plug.
- If an extension power cable or adaptor is used, ensure that the total power rating of the power cable and/or adaptor is not exceeded.
- An external disconnect device is required for this apparatus; a detachable power cord, as fitted to this equipment, is a suitable disconnect device. The power socket used for this apparatus should be located nearby and be easily accessible.
- All power cords must be disconnected to isolate this apparatus completely.
- Unplug this apparatus during an electrical storm or when unused for long periods of time.

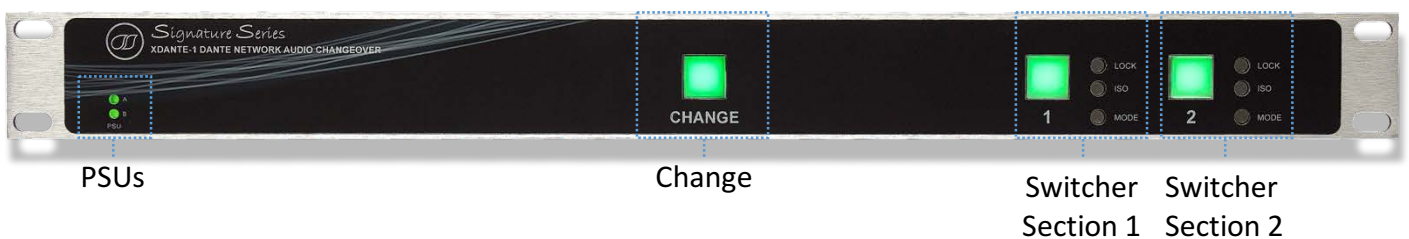
Installation Notes

- When installing this apparatus, either fix it into a standard 19" rack or place the apparatus on a secure level surface.
- When this apparatus is rack mounted, fit all rack screws. Rack shelves are recommended for this apparatus.
- Do not operate this apparatus whilst it is covered or boxed in any way.
- Ensure that no strain is placed on the cables connecting to this apparatus. Ensure also that such cables are not placed where they can be stepped on, pulled or tripped over.



AUTOGRAPH

PANEL DESCRIPTIONS

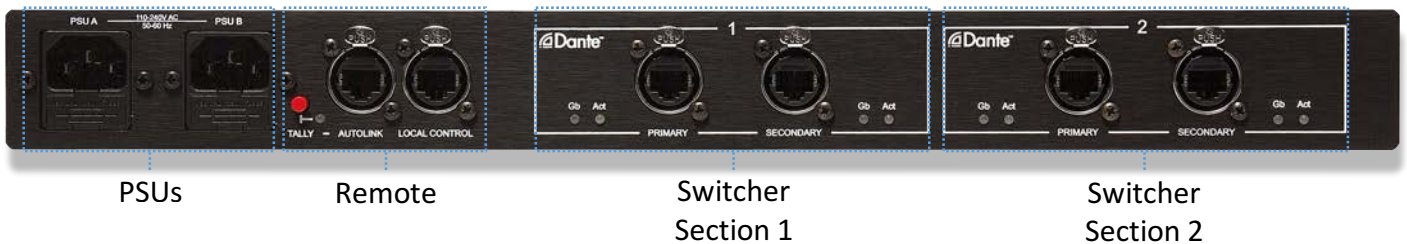


Front Panel

- PSU - Indicates the current state of each power supply
- CHANGE - Activating reverses the current state of Switchers 1 & 2, unless locked or isolated
- Switcher Section 1 Buttons
 - ▶ 1 - Activating will reverse the state of Switcher 1
 - ▶ LOCK - Locks switcher to current selection
 - ▶ ISO - Isolates switcher from Change button/GPI
 - ▶ MODE - Turns switcher to output switching mode
- Switcher Section 2 Buttons
 - ▶ 2 - Activating will reverse the state of Switcher 2
 - ▶ LOCK - Locks switcher to current selection
 - ▶ ISO - Isolates switcher from Change Button/GPI
 - ▶ MODE - Turns switcher to output switching mode



AUTOGRAPH



Rear Panel

- PSUs
 - Fused IEC mains input 110-240V AC 50-60 Hz
- Remote
 - AUTOLINK - GPI & Tally for remote control of CHANGE button.
 - TALLY button - Allows or Inhibits Tally back of CHANGE button
 - LOCAL CONTROL - GPI & Tally for remote control of CHANGE button, Switcher 1 & Switcher 2
- Switcher Section 1
 - Primary & Secondary Dante ports for Switcher 1
 - Gb - Illuminates if Gigabit network present
 - Act - Illuminates if Network is active
- Switcher Section 2
 - Primary & Secondary Dante ports for Switcher 2
 - Gb - Illuminates if Gigabit network present
 - Act - Illuminates if Network is active



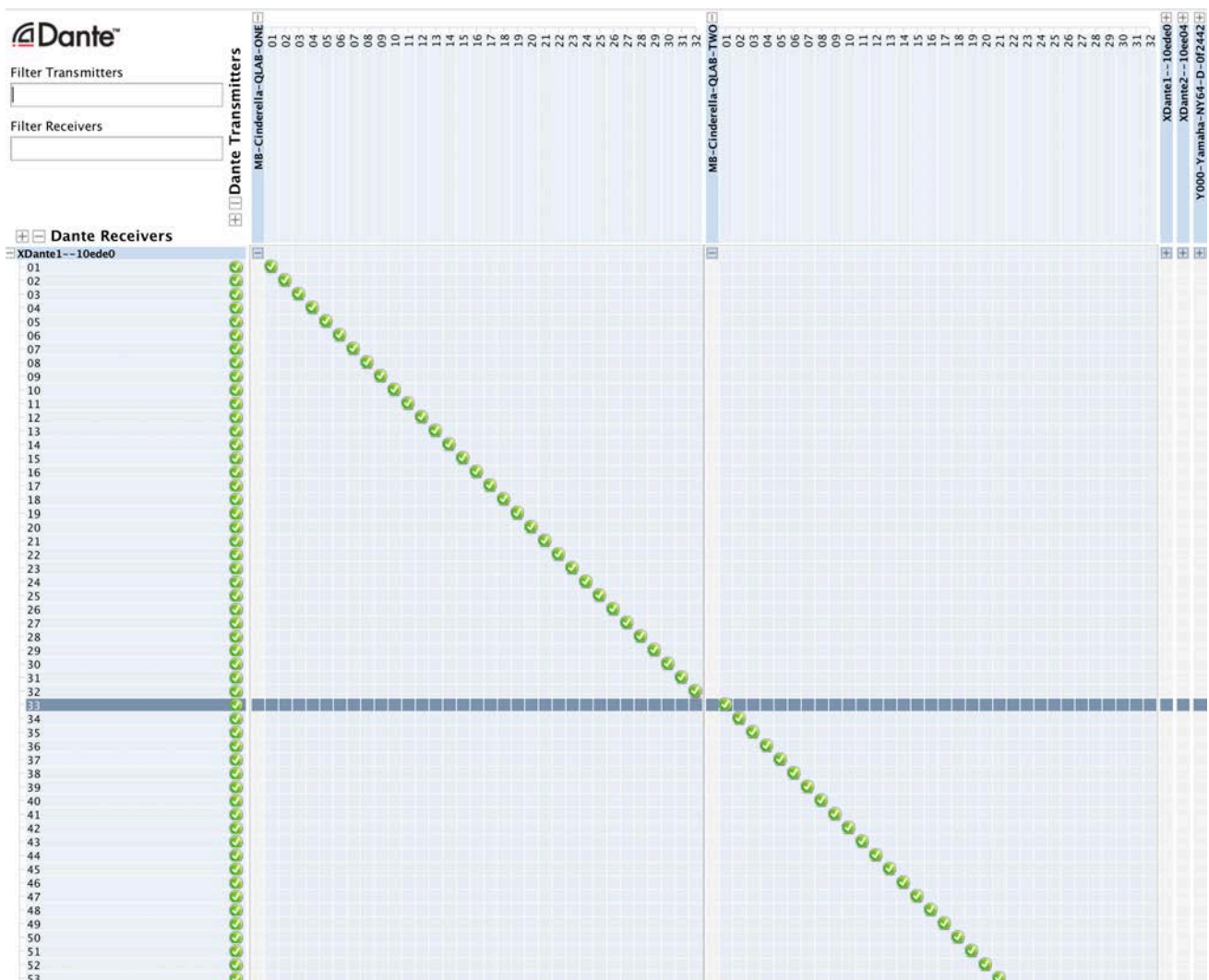
AUTOGRAPH

Setup Instructions

Input Mode (MODE LED OFF)

Input Mode switches between two input sources (up to 32 Channels per switcher) to one 32 channel output. The output of the switcher can be routed to any other Dante receiving device.

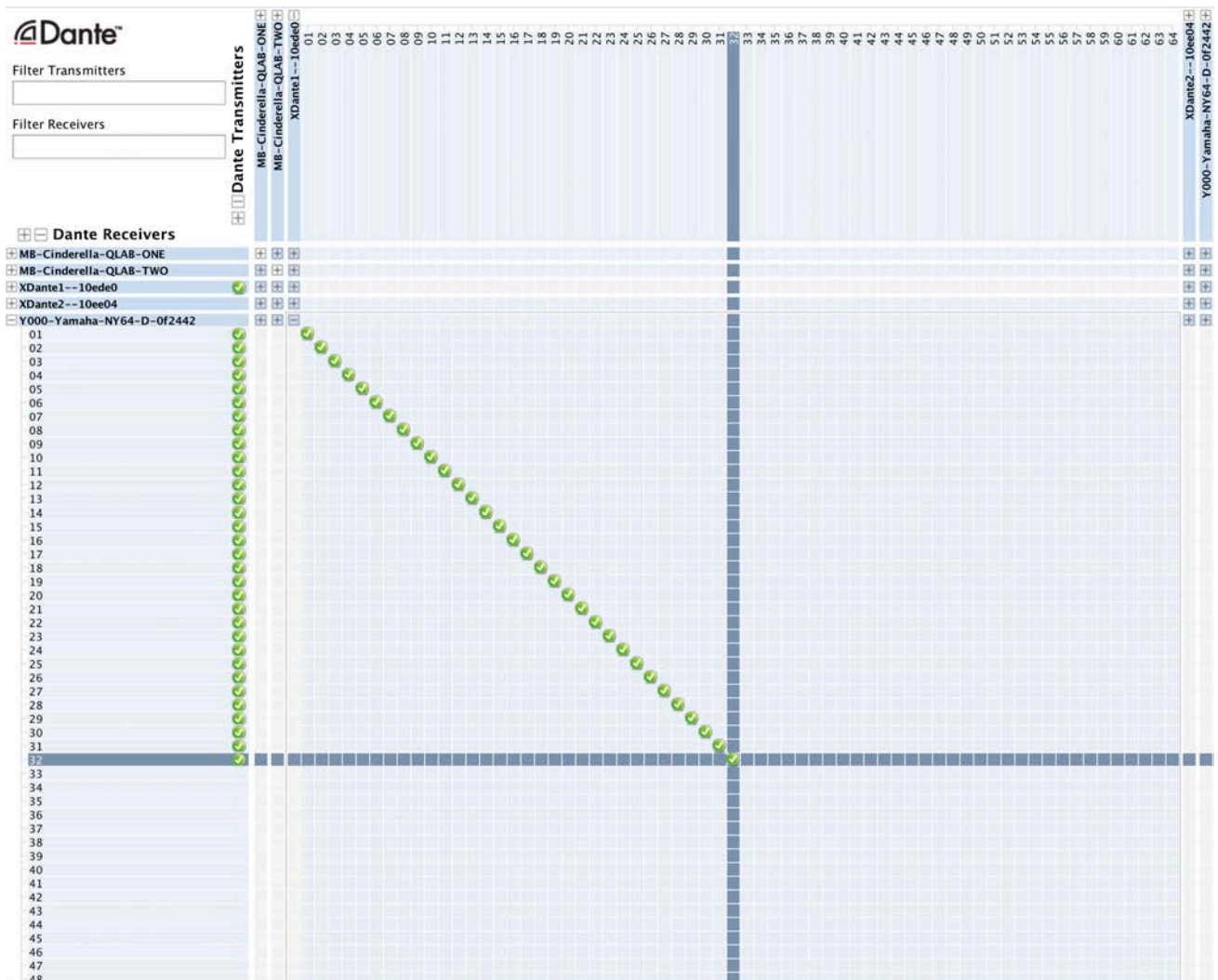
The Example below shows the routing within Dante Controller for a Dual Redundant QLab Playback System.





AUTOGRAPH

The output section shows the routing from the output of Switcher 1 to the inputs of a digital console.





AUTOGRAPH

Output Mode (MODE LED ON)

Output Mode switches up to 32 inputs to either outputs 1-32 or outputs 33-64 of the switcher unit.

Dante

Filter Transmitters
Filter Receivers

Dante Receivers

- DAO2-500a45
 - 01
 - 02
- DAO2-500a73
 - 01
 - 02
- XDante1--10ede0
 - 01
 - 02
 - 03
 - 04
 - 05
 - 06
 - 07
 - 08
 - 09
 - 10
 - 11
 - 12
 - 13
 - 14
 - 15
 - 16
 - 17
 - 18
 - 19
 - 20
 - 21
 - 22
 - 23
 - 24
 - 25
 - 26
 - 27
 - 28
 - 29
 - 30
 - 31
 - 32
 - 33
 - 34
 - 35
 - 36

Dante Transmitters

XDante1--10ede0 01 02 03 04 05 06 07 08 09 10 11 12 13 14 15 16 17 18 19 20 21 22 23 24 25 26 27 28 29 30 31 32 33 34 35 36 37 38 39 40 41 42 43 44 45 46 47 48 49 50 51 52 53 54 55 56 57 58 59 60 61 62 63 64

XDante2--10ese04 Y000-Yamaha-NV64-D-072442 01 02 03

P: S:

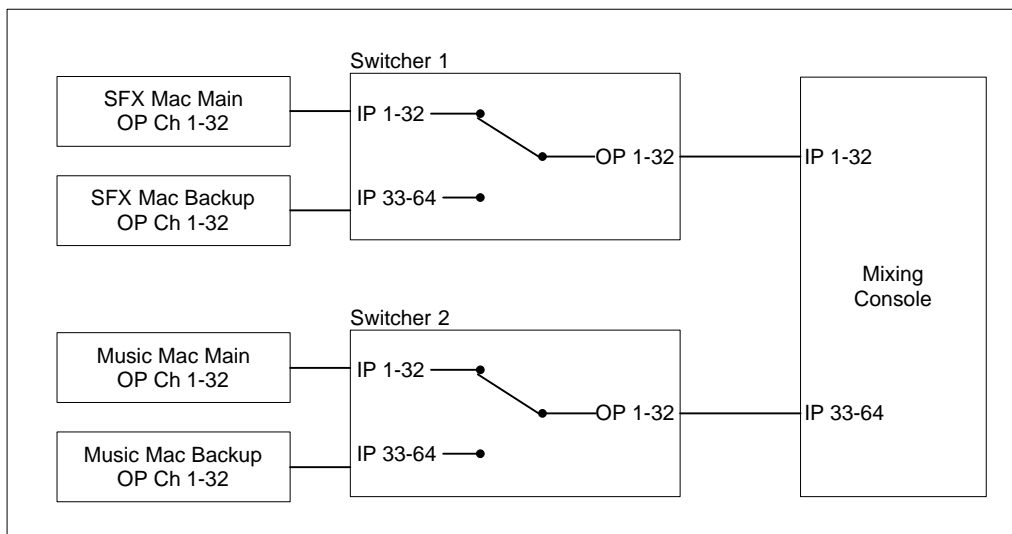
Multicast Bandwidth: 0 bps Event Log: Clock Status Monitor:



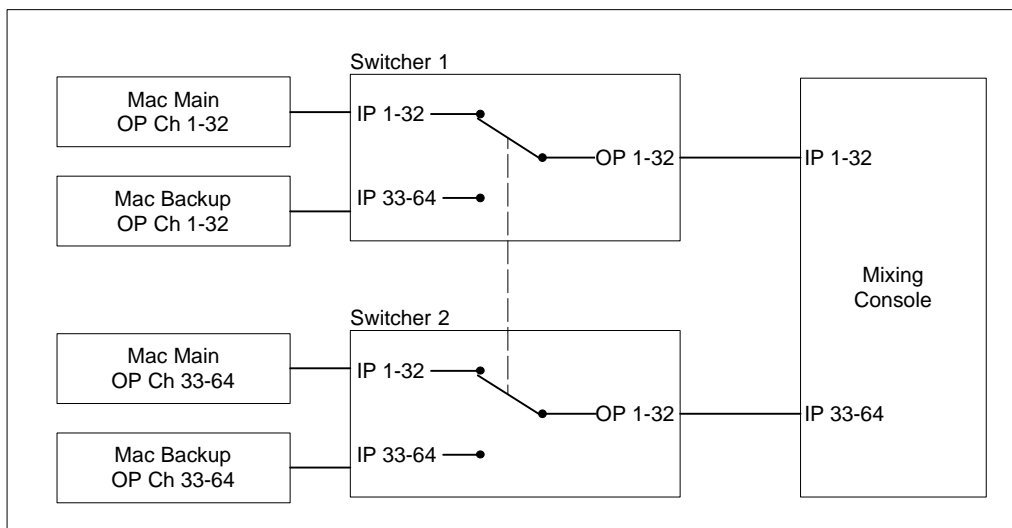
AUTOGRAPH

SWITCHING EXAMPLES

Switching 2 x 64Ch to 32Ch Input Mode



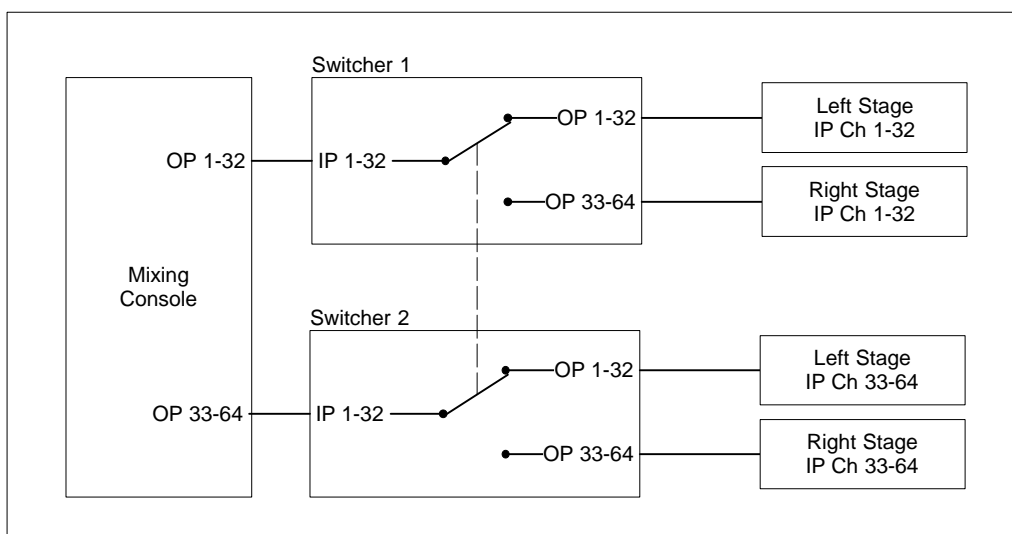
Switching 128Ch to 64Ch Input Mode



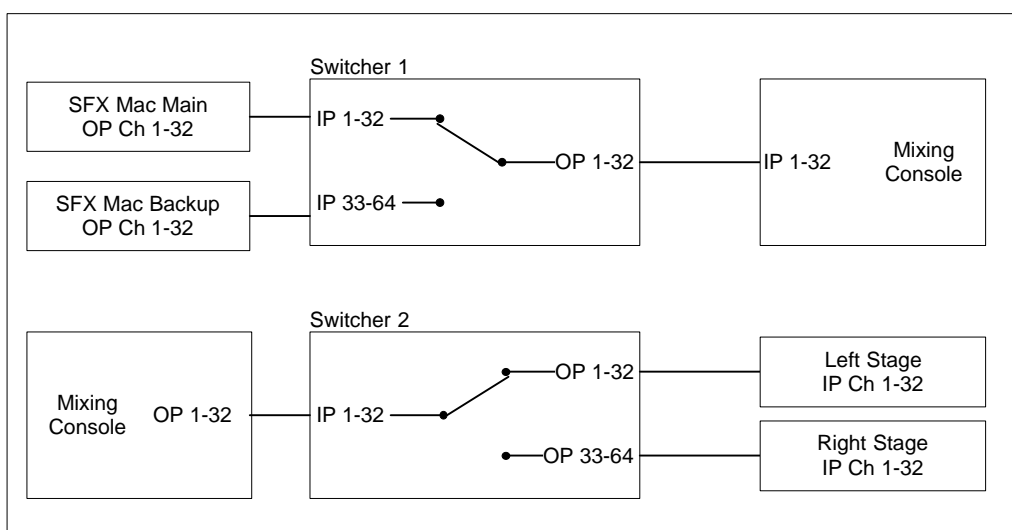


AUTOGRAPH

Switching 64Ch to 128Ch Output Mode



Switching 1 x 64Ch to 32Ch Input Mode & 1 x 32Ch to 64Ch Output Mode

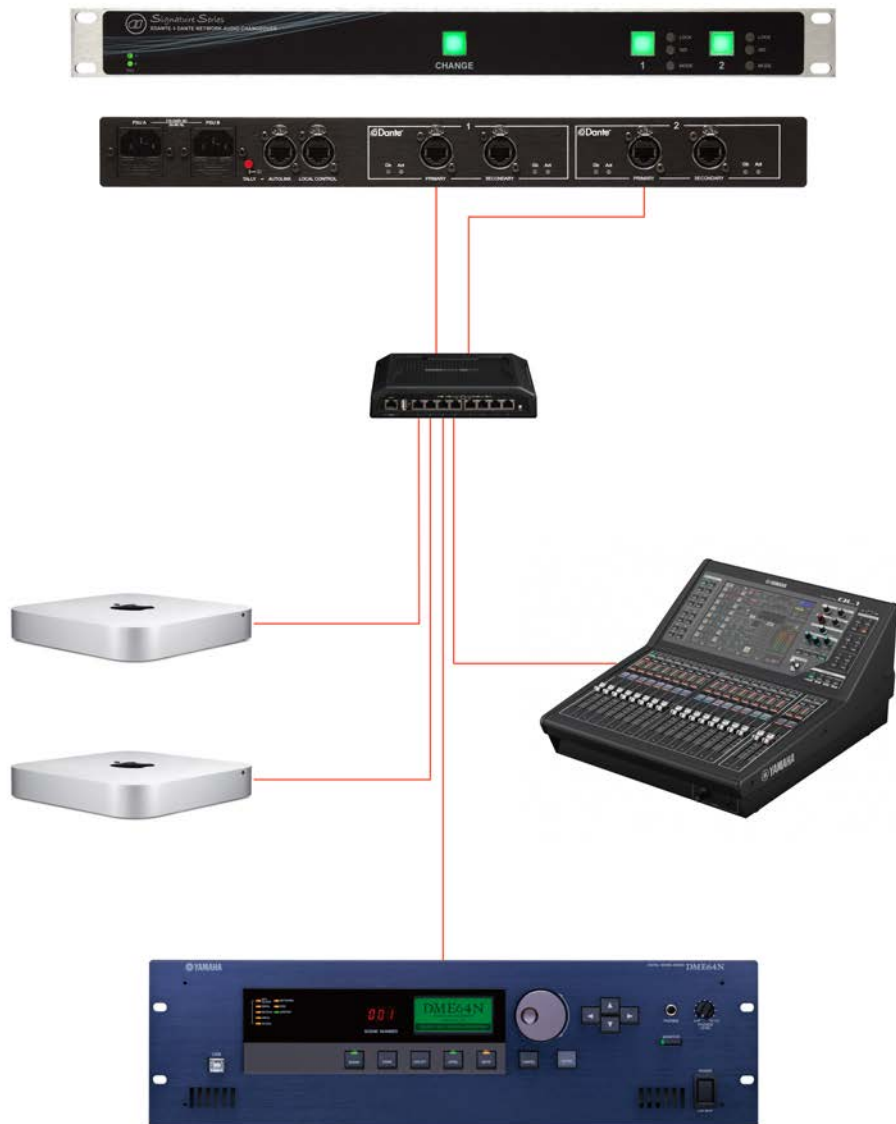




AUTOGRAPH

CONNECTION EXAMPLES

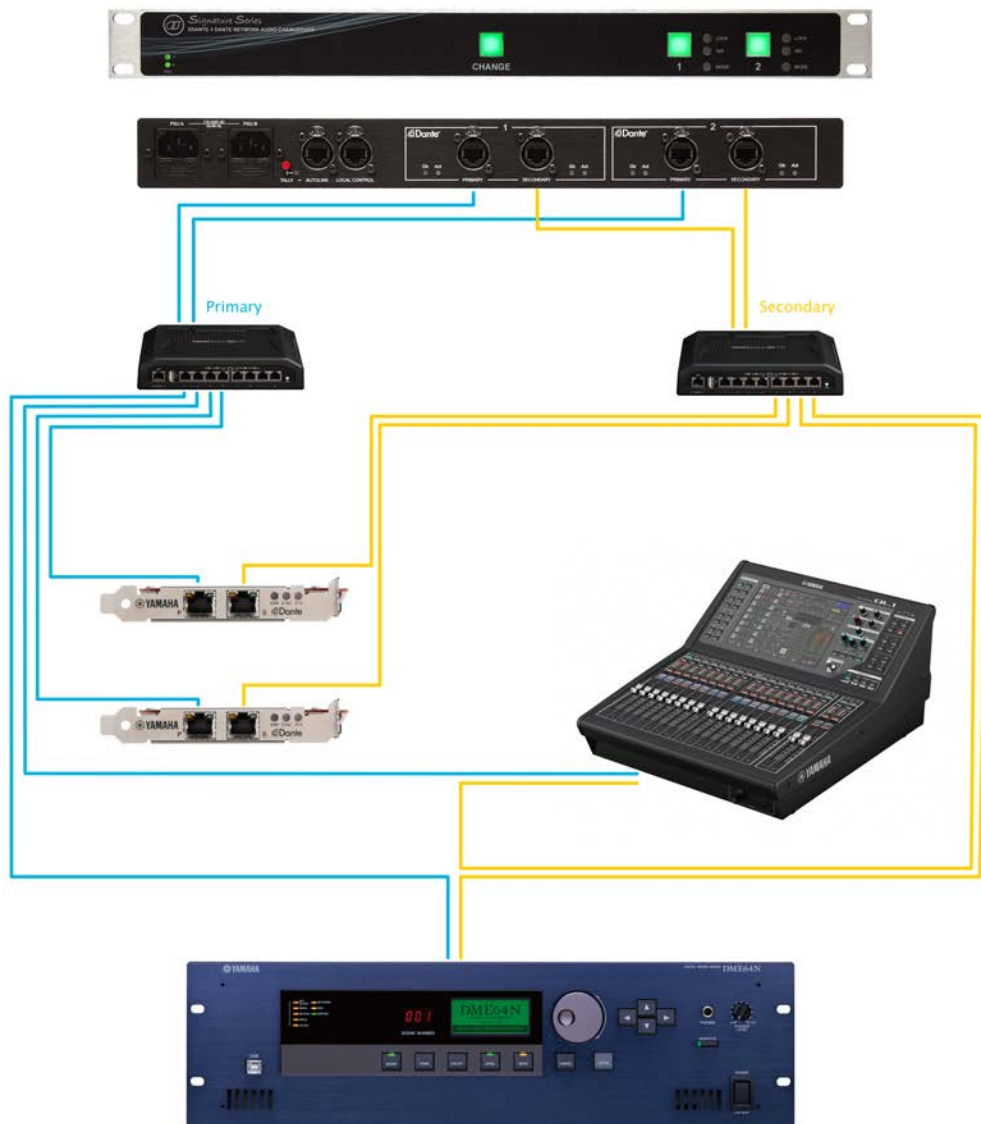
Primary only connection example





AUTOGRAPH

Primary & Secondary connection example





AUTOGRAPH

TECHNICAL DATA

Dimensions

- Width 19" (483mm)
- Height 1RU (44mm)
- Depth 10 1/4" (260mm)

Weight

- Approximately 2 Kg

Power Supply

- 2 x 88 V - 264 V AC / 47 Hz - 63 Hz

Fuses

- 2 x 250 V - 2A (Anti Surge) contained in IEC input connector

Latency

- @ 48K - 1 Sample (.021ms) over device latency

Dante Ports

4 x Neutrik etherCon

Remote Ports

2 x Neutrik etherCon



AUTOGRAPH

APENDIX A

Autolink Pinout

Pin	Function	Action
1	+5V/+12V *	
2	Switch CHANGE +3V	Ground to activate
3		
4		
5		
6		
7	Switch – CHANGE Tally	When active provides ground
8	Ground	

Remote Pinout

Pin	Function	Action
1	+5V/+12V *	
2	Switch CHANGE +3V	Ground to activate
3	Switch – 2 +3V	Ground to activate
4	Switch - 2 - Tally	When active provides ground
5	Switch – 1 +3V	Ground to activate
6	Switch - 1 - Tally	When active provides ground
7	Switch – CHANGE Tally	When active provides ground
8	Ground	

* Voltage dependent on internal jumper setting of LK1
Factory default is 5V.